

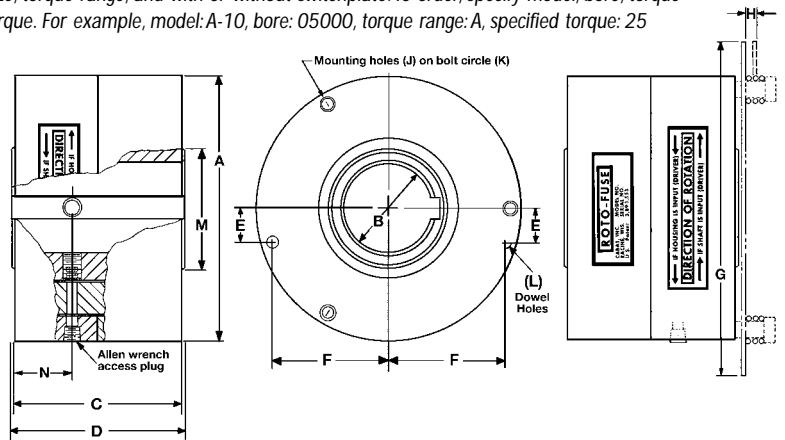
## CABAT® OVERLOAD RELEASE CLUTCHES



### Roto-Fuse™ Full Release, Reverse, Reset Overload Clutch

- Uni-directional
- Single position reset and remote reengagement capable
- Compact and enclosed
- External torque adjustment or tamperproof torque setting
- High-speed capable

Standard bore sizes available in 1/8 increments. Special bore sizes available upon request. Orders should include model number, bore size, torque range, and with or without switchplate. To order, specify model, bore, torque range, and specified torque. For example, model: A-10, bore: 05000, torque range: A, specified torque: 25



“ It is a competitively priced, high-quality product that serves our customers’ needs well.”

- Current Cabat satisfied customer

### Roto-Fuse™ Specifications

Model No.	Torque Range	Inch./lbs	Max.		C	D	E	F	G	H	(No.) Size J	K	L	M	N
			A	B											
A-10	A	20-45	2.5000"	0.750"	1.87"	1.94"	0.375"	1.021"	3.50"	0.12"	(3) 8-32	2.176"	0.188"	1.00"	0.62"
	B	60-125													
	C	75-150													
	D	150-300													
	E	280-575													
A-15	A	110-220	3.000"	1.000"	2.23"	2.39"	0.438"	1.245"	4.00"	0.12"	(3) 10-24	2.608"	0.188"	1.25"	0.88"
	B	130-260													
	C	180-360													
	D	240-490													
	E	320-660													
A-20	A	60-100	4.000"	1.250"	2.79"	2.88"	0.500"	1.705"	5.00"	0.12"	(3) 1/4-20	3.554"	0.250"	1.62"	0.94"
	B	300-450													
	C	750-1200													
	D	870-1380													
	E	1225-2100													
A-30	A	740-1500	5.1880"	1.750"	3.24"	3.81"	0.500"	2.306"	6.44"	0.18"	(3) 1/4-20	4.720"	0.250"	2.25"	1.06"
	B	930-1880													
	C	1880-3780													
	D	3000-6000													
	E	3920-7860													
A-40	A	600-1200	5.8800"	2.250"	3.71"	3.82"	0.750"	2.548"	7.12"	0.18"	(6) 5/16-18	5.312"	0.312"	2.75"	1.19"
	B	1440-2880													
	C	3060-6120													
	D	3720-7440													
	E	6740-13500													

Your success is our business.