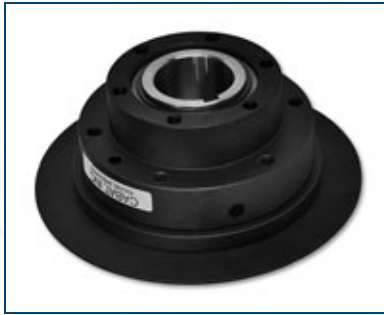


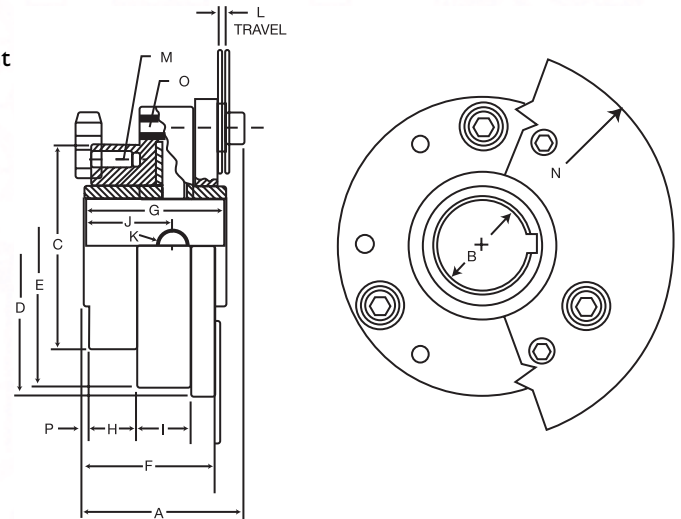


CABAT® OVERLOAD RELEASE CLUTCHES



Model AO Automatic Full Release Automatic Reset Torque Limiter Clutch

- Bi-directional
- Single position reset
- External torque adjustment
- Switchplate included
- Small sprocket capable



“ Monthly demand for our machines is unpredictable, so we appreciate Cabat’s responsiveness and quick turn around time for the parts they supply to us. ”

- Current Cabat satisfied customer

Model AO Specifications

Clutch Model No.	Torque Range	Inch lbs.	A		C	D	E	F	G	H	I	J	K (in.)	L	M			N			O			P
			Min.	Max.											No.	Size	B.C.	No.	Size	B.C.	No.	Size	B.C.	
A-0075	A	15/40	1.65"	0.750"	1.750"	2.72"	2.41"	1.34"	1.48"	0.37"	0.69"	0.84"	(2) 5/16-18	0.075"	6	10-24	1.432	4.00"	6	10-24	2.125	.03"		
	B	30/75	1.78"																					
	C	50/150	1.90"																					
	D	115/205	2.03"																					
A-0100	A	40/190	2.10"	1.000"	2.375"	3.42"	3.10"	1.53"	1.63"	0.53"	0.71"	1.00"	(2) 5/16-18	0.075"	6	1/4-20	2.000	4.62"	6	10-24	2.788	.03"		
	B	90/220	2.22"																					
	C	140/325	2.22"																					
	D	220/500	2.22"																					
A-0125	A	180/430	2.53"	1.250"	2.750"	4.00"	3.68"	1.87"	2.00"	0.75"	0.78"	1.27"	(2) 3/8-16	0.080"	6	1/4-20	2.375	5.25"	6	1/4-20	3.250	.03"		
	B	250/570	2.53"																					
	C	450/1000	2.53"																					
A-0175	A	200/550	2.66"	1.750"	3.50"	5.00"	4.55"	2.03"	2.26"	0.79"	0.83"	1.35"	(2) 3/8-16	0.100"	6	5/16-18	3.062	6.25"	6	5/16-18	4.108	.04"		
	B	400/1200	2.66"																					
	C	500/1800	2.66"																					
	D	700/2500	2.91"																					

Your success is our business.